

AMTRON®-

TREND E, XTRA E/R, PREMIUM E/R

WALLBOX FOR ELECTRIC VEHICLES



The MENNEKES AMTRON® is a wallbox for use in private and semi-public areas e.g. company car parks, depots or private properties.

Variants

RFID system			RFID system	RFID system
		Personal protection		Personal protection
	Calibrated digital energy meter	Calibrated digital energy meter	Calibrated digital energy meter	Calibrated digital energy meter
	Charged energy quantity can be read out via charge APP	Charged energy quantity can be read out via charge APP	Charged energy quantity can be read out via charge APP	Charged energy quantity can be read out via charge APP
	Statistic function via Charge APP	Statistic function via Charge APP	Statistic function via Charge APP	Statistic function via Charge APP
Charge APP via LAN / WLAN	Charge APP via LAN / WLAN	Charge APP via LAN / WLAN	Charge APP via LAN / WLAN	Charge APP via LAN / WLAN
LED status display Stop button	LED status display Stop button	LED status display Multifunction button	LED status display Stop button	LED status display Multifunction button

Trend E

Xtra E

Xtra R

Premium E

Premium R

Charging socket type 2 (version „T2“)

order nr.	order nr.	order nr.	order nr.	order nr.
3,7 / 7,4 kW 1357400 11 / 22 kW 1357401	3,7 / 7,4 kW 1354400 11 / 22 kW 1354401	11 kW 1354451	11 / 22 kW 1355451	3,7 / 7,4 kW 1355400 11 kW 1355401

Charging socket type 2 with shutter (version „T2S“)

order nr.	order nr.	order nr.	order nr.	order nr.
3,7 / 7,4 kW 1347680 11 / 22 kW 1347681	3,7 / 7,4 kW 1354600 11 / 22 kW 1354601	3,7 / 7,4 kW 1344680 11 / 22 kW 1344681	11 / 22 kW 1355601	3,7 / 7,4 kW 1345680 11 kW 1345681

Permanently connected charging cable with connector type 2 (version „C2“)

order nr.	order nr.	order nr.	order nr.	order nr.
7,4 kW 1357203 22 kW 1357202	7,4 kW 1354203 22 kW 1354202	22 kW 1354252	22 kW 1355252	22 kW 1355202

Permanently connected charging cable with connector type 1 (version „C1“)

order nr.	order nr.	order nr.	order nr.	order nr.
3,7 kW 1357100	3,7 kW 1354100			



Product features

- Charging acc. Mode 3 (IEC 61851)
- Vehicle connectors and charging socket acc. IEC 62196
- Integrated cable suspension
- Charging capacity up to 22kW

- Versions:
 - Charging socket type 2
 - Permanently connected charging cable with connector type 2 (7.5m length)
 - Permanently connected charging cable with connector type 1 (7.5m length)

- Status information through LED info bar
- Integration in the home network via WLAN / LAN
- RS485 interface for wired networking with a MENNEKES eMobility Gateway (only for Premium (E/R) devices)

- Multifunction button
 - Stop function (adjustable parameters; deactivated by default)
 - Reset function
 - RCD test (only with integrated RCD)
Re-activating of RCD (only with integrated RCD)

- Unlocking function in case of power failure (only for devices with charging socket type 2)

- Charge APP (download for free)
 - Authorization and visualization of charging processes
 - Statistic function
 - Display of the charged amount of energy and the energy costs
 - Data export of charging processes (file format: pdf and csv)
 - Operation modes: APP-control, time-controlled (internal), external tariff signal, Energy Manager
 - Whitelist management for RFID-cards

- RFID authorization via local whitelist (up to 98 users) (only for Trend E and Premium (E/R) devices)
- Enclosure made of AMELAN®
- Ready wired for installation

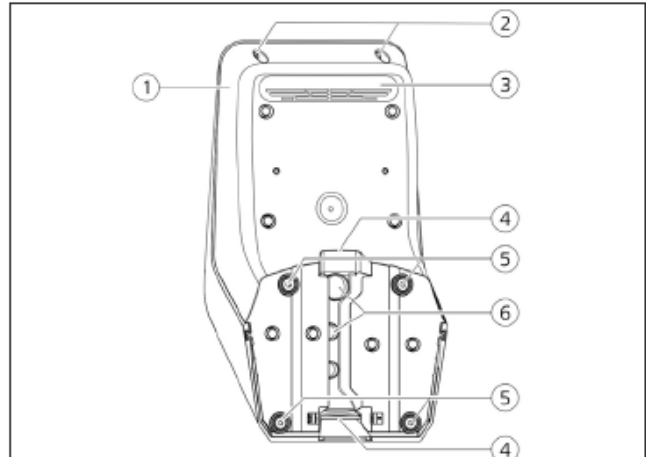


Assembly

Front view



Rear view



1. Multifunction or stop button ¹⁾
2. LED Info bar
3. Fastening screws für upper housing part
4. Upper enclosure section
5. Energy meter with inspection window ²⁾
6. Front panel
7. RFID card reader ³⁾
8. Charging socket type 2 with hinged lid ⁴⁾ or charging socket with shutter ⁵⁾
9. Pre-cut recess for supply cable /cable duct ⁶⁾

1. Base part
2. Fastening screws for upper housing part
3. Passive ventilation
4. Recess for supply line/ cable duct
5. Fastening holes
6. Cable entries

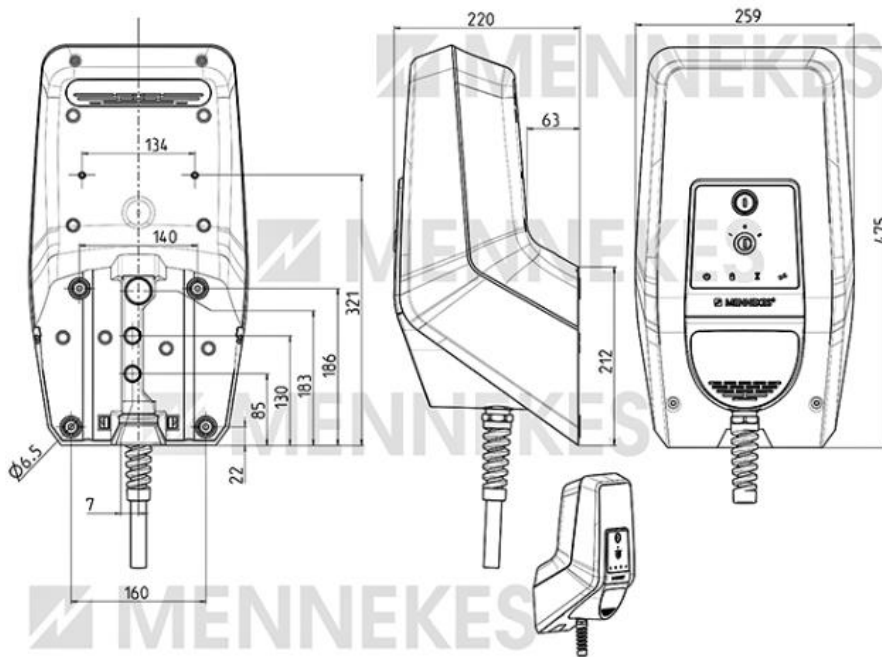
- 1) Multifunction button only for Xtra R and Premium R variants, stop button only for Trend E, Xtra E and Premium E variants
- 2) Not for Trend E variant
- 3) Not for Xtra E/R variant
- 4) Only for version „T2“
- 5) Only for version „T2S“
- 6) Only for versions „C1“and „C2“

Technical data

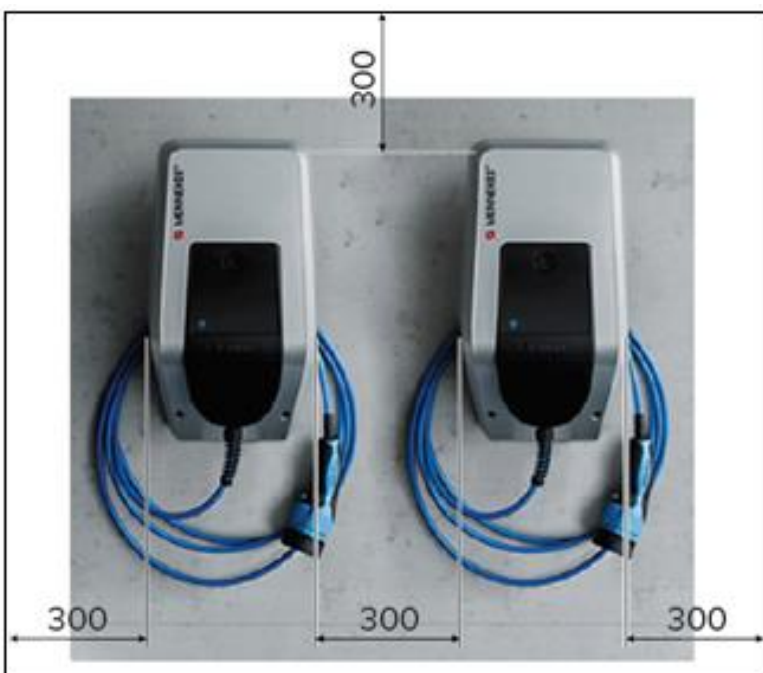
Charging power Mode 3 [kW]	3,7	7,4	11	22	
Rated voltage U_N [V] AC $\pm 10\%$	230	230	400	400	
Rated frequency f_N [Hz]	50				
Rated Current I_{rA} [A]	16	32	16	32	
Max. back-up fuse [A]	According to type label/ configuration				
Degree of protection	<ul style="list-style-type: none"> ▪ permanently attached charging cable : IP 44 ▪ charging socket type 2 with hinged lid : IP 54 				
Protection class	II				
Dimensions H x W x D [mm]	475 x 259 x 220				
Weight [kg]	5-8,5				
Rated insulation voltage U_i [V]	500				
Rated impulse withstand voltage U_{imp} [kV]	4				
Charging current Mode 3 I_{rC} [A]	16 1 ph	32 1 ph	16 3 ph	3 2 3 ph	
Rated short circuit current I_{cc} [kA]	10				
Rated diversity factor RDF	1				
Pollution degree	3				
Overvoltage category	III				
Earth system	TN/TT				
Setting up	Indoor or outdoor				
Condition of installation	Stationary equipment				
Usage	ACSEV				
Mounting method	Wall mounting, surface mounting				
EMC classification	A+B				
Resistance to mechanical impact	IK 10				
Terminal strip supply line	Nominal cross section [mm ²]	3x6	3x10	5x6	5x10
	Rated cross section [mm ²]	rigid 3x6 flexible 3x4	rigid 3x10 flexible 3x6	rigid 5x6 flexible 5x4	rigid 5x10 flexible 5x6
	Tightening torque [Nm]	max. 0,8/ 1,8	max. 1,8	max. 0,8/ 1,8	max. 1,8
Standard	IEC 61851, DIN IEC / TS 61439-7				

Environmental conditions	
Ambient air temperature	-25...+40 °C
Average temperature within 24 hours	< 35 °C
Altitude	Max. 2000m above sea level
Relative humidity	Max. 95 % (non-condensing)

Dimensions [mm]



Mounting distance [mm]



References



Parking garage Hamburg warehouse district



Brochure „Charge up your day“

MENNEKES

Elektrotechnik GmbH & Co. KG

Aloys-Mennekes-Straße 1
57399 KIRCHHUNDEM
GERMANY

Phone: + 49 2723 41-1
Fax: + 49 2723 41-214
info@MENNEKES.de

www.MENNEKES.com

www.chargeupyourday.com