

**Fronius Primo:
Explanation of symbols and choice
of location
Notes regarding installation and
connection**

EN

Installations instructions

Grid-connected inverter







Contents

Explanation of symbols	5
Explanation of safety symbols	5
Explanation of symbols - choice of location	5
Explanation of symbols and choice of location	5
Explanation of symbols - installation position	7
Choice of location	9
Proper use	9
General comments regarding choice of location.....	9
Installation notes	11
Selecting wall plugs and screws	11
Recommended screws	11
Mounting the wall bracket	11
Installing the inverter on a mast	11
Notes regarding grid connection	12
Monitoring the Grid	12
AC terminals	12
Type of AC cable	12
Connecting aluminum cables.....	12
Grid connection of inverter or dummy device	13
Maximum fuse rating on alternating current side	14
Notes regarding DC connection.....	15
General comments regarding solar modules	15
DC terminals	15
Connecting aluminum cables.....	15
Notes regarding dummy devices	16
Inverter DC connection	16
Inverter with multiple MPP trackers- Fronius Primo 3.0 - 8.2.....	17
Notes regarding the laying of data communication cables	19
Laying data communication cables.....	19
Notes regarding attaching the inverter to the wall bracket.....	20
Attaching the inverter to the wall bracket.....	20
Notes regarding software updates	21
Notes regarding software updates.....	21
USB Stick as a Data Logger and for Updating Inverter Software	22
USB stick as a data logger.....	22
Data on the USB stick.....	22
Data volume and storage capacity.....	23
Buffer memory	23
Suitable USB flash drives	24
USB stick for updating the inverter software.....	24
Remove USB stick.....	25
Notes regarding maintenance.....	26
Maintenance	26
Cleaning.....	26
Serial Number Sticker for Customer Use.....	27
Serial number sticker for customer use	27

Explanation of symbols

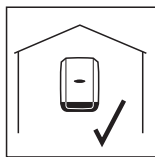
Explanation of safety symbols

- 
DANGER! Indicates immediate and real danger. If it is not avoided, death or serious injury will result.
- 
WARNING! Indicates a potentially dangerous situation. Death or serious injury may result if appropriate precautions are not taken.
- 
CAUTION! Indicates a situation where damage or injury could occur. If it is not avoided, minor injury and/or damage to property may result.
- 
NOTE! Indicates a risk of flawed results and possible damage to the equipment.

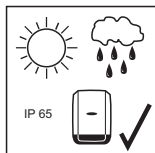
IMPORTANT! Indicates tips for correct operation and other particularly useful information. It does not indicate a potentially damaging or dangerous situation.

If you see any of the symbols depicted in the "Safety rules" chapter, special care is required.

Explanation of symbols and choice of location

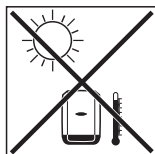


The inverter is suitable for installation indoors.

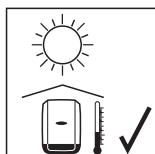


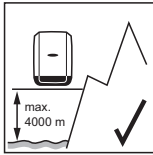
The inverter is suitable for installation outdoors.

Its IP 65 degree of protection means that the inverter is resistant to water jets from any direction and can also be used in damp environments.

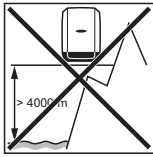


In order to minimise the heating up of the inverter, do not expose it to direct insolation. The inverter should ideally be mounted in a protected position, e.g. in the vicinity of the solar modules or beneath the eaves.





Can be used at altitudes of up to 4000 m



IMPORTANT! The inverter must not be installed or used at altitudes above 4000 m.



Do not install the inverter:

- in areas where ammonia, corrosive vapours, acids or salts are present (e.g. fertiliser stores, ventilation openings from cattle sheds, chemical plants, tanneries, etc.)



As the inverter generates low levels of noise at certain times, it should not be installed close to living areas.



Do not install the inverter:

- in places where there is an increased risk of damage from farm animals (horses, cattle, sheep, pigs, etc.)
- in stables or adjoining areas
- in storage areas for hay, straw, chaff, animal feed, fertilisers, etc.



Do not install the inverter:

- in places and environments subject to heavy build-up of dust
- in places and environments in which a heavy build-up of dust containing conductive particles (e.g. iron chips) is likely



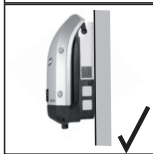
Do not install the inverter:

- in greenhouses
- in storage or processing areas for fruit, vegetables or winegrowing products
- in places used to prepare grain, green fodder or animal feeds

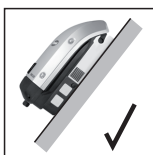
Explanation of symbols - installation position



The inverter is designed to be installed vertically on a vertical wall or pillar.



The inverter is suitable for horizontal installation.



The inverter is suitable for installation on a sloping surface.



Do not install the inverter on a sloping surface with its connection sockets facing upwards.



Do not install the inverter at an angle on a vertical wall or pillar.



Do not install the inverter horizontally on a vertical wall or pillar.



Do not install the inverter on a vertical wall or pillar with its connection sockets facing upwards.



Do not install the inverter such that it overhangs with its connection sockets facing upwards.



Do not install the inverter such that it overhangs with its connection sockets facing downwards.



Do not install the inverter on the ceiling.

Choice of location

Proper use

The inverter is designed to be connected and used exclusively in conjunction with ungrounded solar modules. The solar modules must not be grounded at either the positive or negative pole.

The solar inverter is intended exclusively to convert direct current from solar modules into alternating current and to feed this into the public grid.

Utilisation not in accordance with the intended purpose comprises:

- any use above and beyond this purpose
- making any modifications to the inverter that have not been expressly approved by Fronius
- the installation of components that are not distributed or expressly approved by Fronius.

Fronius shall not be liable for any damage resulting from such action. No warranty claims will be entertained.

Proper use also includes

- carefully reading and obeying all the instructions and all the safety and danger notices in the operating instructions
- performing all stipulated inspection and maintenance work
- installation as specified in the operating instructions

When designing the photovoltaic system, ensure that all of its components are operated within their permitted operating ranges at all times.

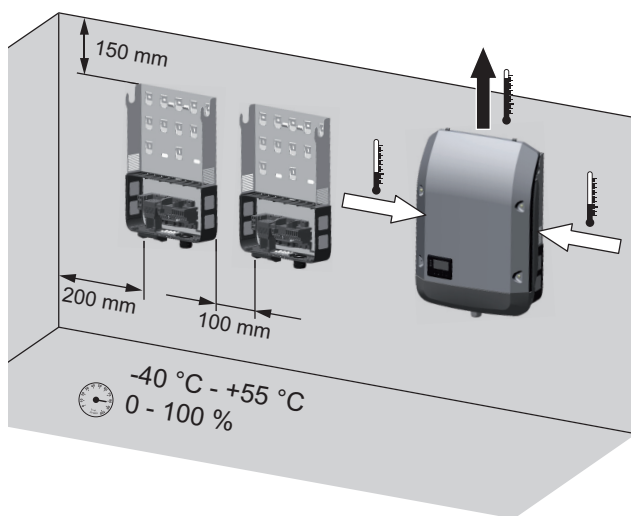
Observe all the measures recommended by the solar module manufacturer to ensure the lasting maintenance of the properties of the solar module.

Obey the regulations of the power supply company regarding energy fed into the grid.

General comments regarding choice of location

The following criteria should be taken into account when choosing a location for the inverter:

Install only on a solid surface



Max. ambient temperatures:
-40 °C / +55 °C

Relative humidity:
0 - 100 %

The airflow within the inverter is from the left and right to the top (cold air taken in from the left and right, hot air dissipated out of the top).

If the inverter is installed in a switch cabinet or a similar sealed area, then forced-air ventilation must be provided to ensure adequate heat dissipation.

If the inverter is to be installed on the outer wall of a cattle shed, maintain a minimum all-round clearance of 2 m between the inverter and all ventilation and other openings in the building.

The installation location must not be exposed to ammonia, corrosive vapours, salts or acids.

Installation notes

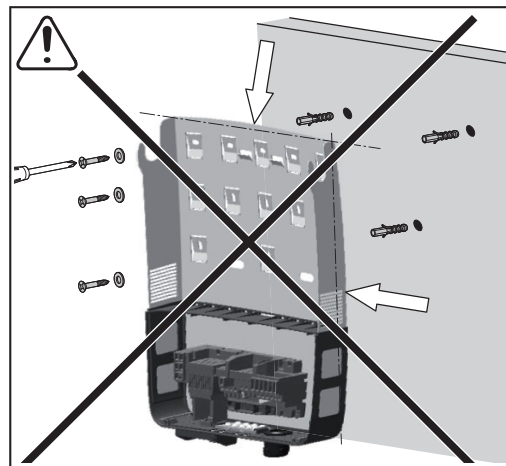
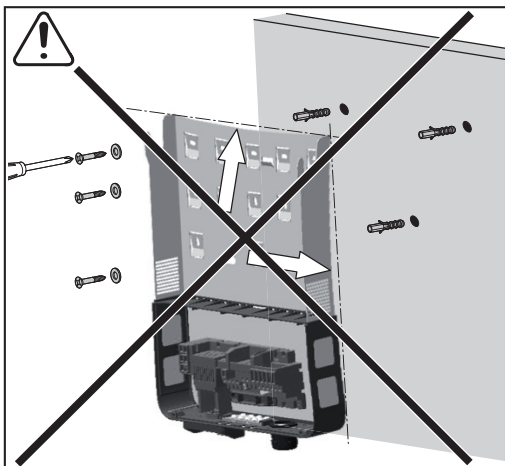
Selecting wall plugs and screws

IMPORTANT! Different fixings may be required to fit the wall bracket depending on the type of underlying surface. Fixings are therefore not included in the scope of supply of the inverter. The installer is responsible for selecting the right type of fixing.

Recommended screws

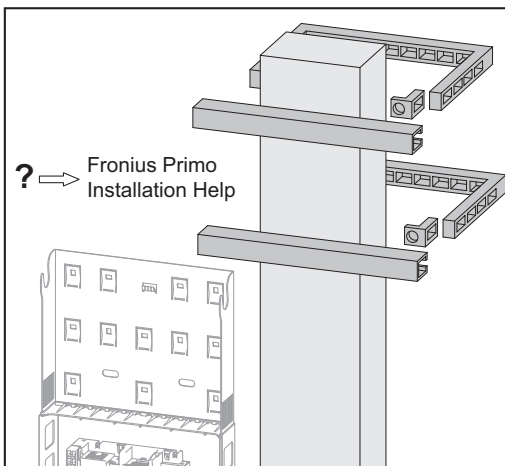
To install the inverter, the manufacturer recommends the use of steel or aluminium screws with a diameter of 6 - 8 mm.

Mounting the wall bracket



NOTE! When mounting the wall bracket, ensure that the wall bracket is not warped or deformed.

Installing the inverter on a mast



Example of a mast fixing kit

When mounting the inverter on a mast or a vertical carrier, Fronius recommends the use of a standard mast fixing kit.

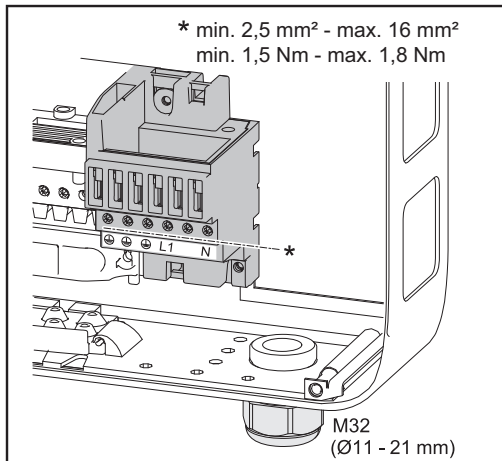
This kit enables the inverter to be mounted on round or rectangular masts with various cross-sections.

Notes regarding grid connection

Monitoring the Grid

IMPORTANT! The resistance in the leads to the AC-side connection terminals must be as low as possible for optimal functioning of grid monitoring.

AC terminals



PE Ground conductor/grounding
 L1 Phase conductor
 N Neutral conductor

Max. cross-section of each conductor cable:
 16 mm²

Min. cross-section of each conductor cable:
 in accordance with the fuse rating on the AC side, but at least 2.5 mm²

The AC cables can be connected to the AC terminals without ferrules.

IMPORTANT! When using ferrules for AC cables with a cross-section of 16 mm², the ferrules must be crimped with a right-angled cross-section. The use of ferrules with insulating collars is only permitted up to a max. cable cross-section of 10 mm².

Type of AC cable

The following types of AC cable can be connected to the AC terminals of the inverter:

- | | |
|--|--|
| | <ul style="list-style-type: none"> - copper or aluminium: round, single wire - Copper: round, finely stranded up to conductor category 4 |
|--|--|

Connecting aluminum cables

The AC-side terminals are designed for connecting single-wire, round, aluminum cables. The following points must be taken into account when connecting aluminum cables due to the non-conducting oxide layer of aluminum:

- Reduced rated currents for aluminum cables
- The connection requirements listed below



NOTE! Take into account local specifications when configuring cable cross sections.

Connection Requirements:

- 1** Carefully clean off the oxide layer of the stripped end of the cable, e.g., using a knife.

IMPORTANT! Do not use brushes, files or sandpaper. Aluminum particles may get stuck and can transfer to other cables.

- 2** After removing the oxide layer of the cable end, rub in a neutral grease, e.g., acid- and alkali-free Vaseline.
- 3** Then immediately connect it to the terminal.

Repeat the steps above whenever the cable is disconnected and then reconnected.

Grid connection of inverter or dummy device

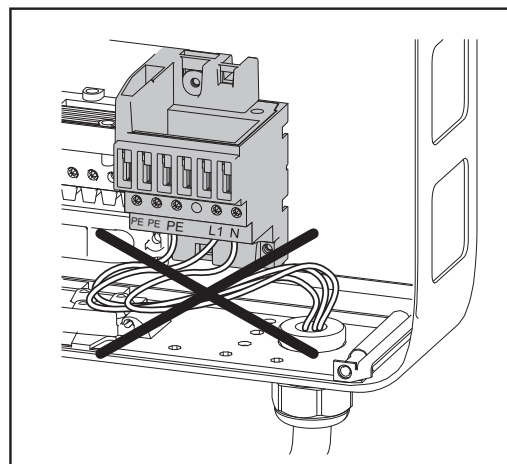
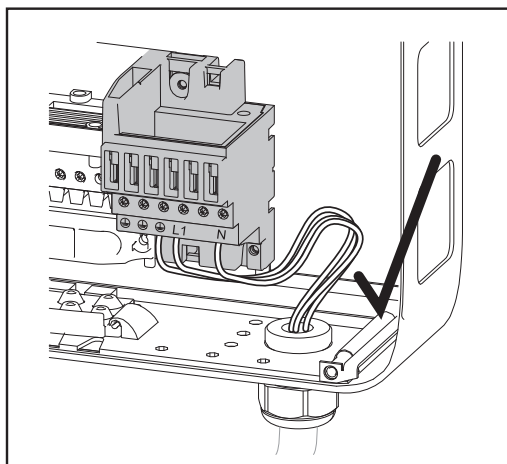
NOTE! To ensure a proper ground connection, all three PE grounding terminals must be tightened to the specified torque when the inverter is installed.

NOTE! Form loops with the AC cables when connecting them to the AC terminals.
When securing the AC cables using a metric screw joint, ensure that the loops do not protrude beyond the connection area. Otherwise, under certain circumstances it may no longer be possible to close the inverter.

NOTE!

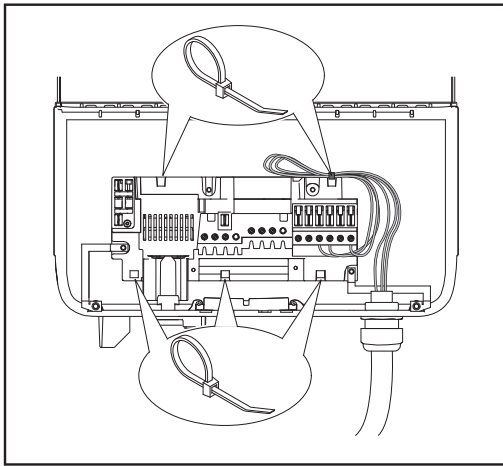
- Ensure that the grid neutral conductor is grounded. This may not be the case for IT grids (insulated grids with no grounding); it will then not be possible to use the inverter.
- In order to use the inverter, the neutral conductor must be connected. A neutral conductor that is too small may adversely affect the grid power feed operation of the inverter. The neutral conductor must therefore be the same size as the other live conductors.

IMPORTANT! The PE ground conductor of the AC cable must be laid in such a way that it is the last to be disconnected in the event that the strain-relief device should fail. This can be ensured, for example, by making it somewhat longer and by laying it in a loop.



If AC cables are laid over the shaft of the DC main switch or across the connection block of the DC main switch, they may be damaged when the inverter is swung in, or they may even prevent the inverter from being swung in.

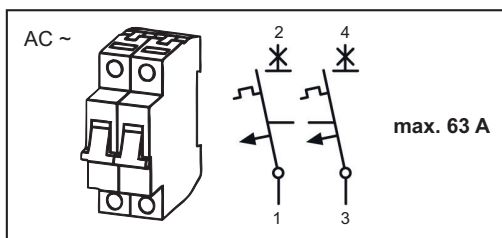
IMPORTANT! Do not lay AC cables over the shaft of the DC main switch or across the connection block of the DC main switch.



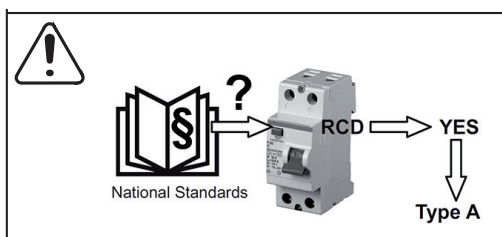
For example: AC cable

If overlength AC or DC cables are to be laid in loops in the connection area, attach the cables with cable ties to the eyelets provided on the top and bottom of the connection block.

Maximum fuse rating on alternating current side



Inverter	Phases	Max. output	Max. fuse rating
Fronius Primo 3.0-1	1	3000 W	1 x C 63 A
Fronius Primo 3.5-1	1	3500 W	1 x C 63 A
Fronius Primo 3.6-1	1	3600 W	1 x C 63 A
Fronius Primo 4.0-1	1	4000 W	1 x C 63 A
Fronius Primo 4.6-1	1	4600 W	1 x C 63 A
Fronius Primo 5.0-1 AUS	1	5000 W	1 x C 63 A
Fronius Primo 5.0-1	1	5000 W	1 x C 63 A
Fronius Primo 6.0-1	1	6000 W	1 x C 63 A
Fronius Primo 8.2-1	1	8200 W	1 x C 63 A



NOTE! Local regulations, the energy supply company or other factors may require a residual current protective device (RCD) in the AC connection lead. For this situation, a type A residual-current circuit breaker is generally adequate. However, in certain circumstances, and depending on local factors, the type A residual-current circuit breaker may trip at the wrong time. For this reason, Fronius recommends that a residual-current circuit breaker that is suitable for frequency converters should be used.

Notes regarding DC connection

General comments regarding solar modules

To enable suitable solar modules to be chosen and to use the inverter as efficiently as possible, it is important to bear the following points in mind:

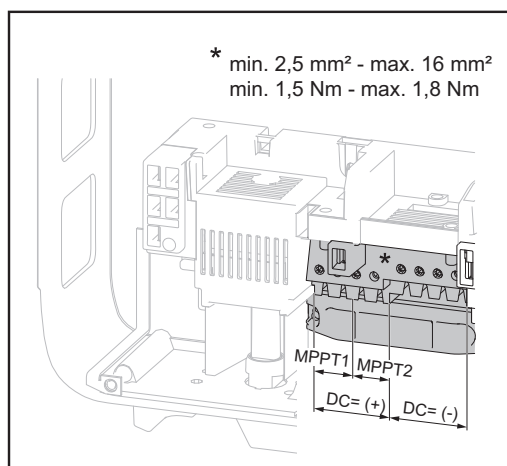
- If insolation is constant and the temperature is falling, the open circuit voltage of the solar modules will increase.
- The temperature coefficients on the solar modules data sheet must be observed
- More exact values for dimensioning the solar modules can be provided by suitable calculation programs, like the Fronius Solar.configurator (which can be downloaded from www.fronius.com).



NOTE! Before connecting up the solar modules, check that the voltage for the solar modules specified by the manufacturer corresponds to the actual measured voltage.

The solar module manufacturer's safety instructions and regulations regarding solar module grounding must be observed.

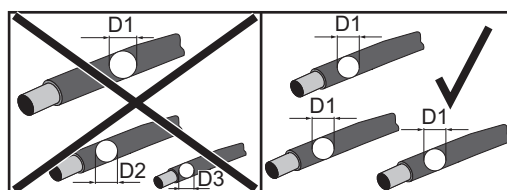
DC terminals



Max. cross-section of each DC cable: 16 mm²

Min. cross-section of each DC cable: 2.5 mm²

The DC cables can be connected to the DC terminals without ferrules.



NOTE! To ensure effective strain relief of the solar module strings, only use cables with identical cross-sections.

IMPORTANT! When using ferrules for DC cables with a cross-section of 16 mm², the ferrules must be crimped with a right-angled cross-section.

The use of ferrules with insulating collars is only permitted up to a max. cable cross-section of 10 mm².

Connecting aluminum cables

The DC-side terminals are designed for connecting single-wire, round aluminum cables. The following points must be taken into account when connecting aluminum cables due to the non-conducting oxide layer of aluminum:

- Reduced rated currents for aluminum cables
- The connection requirements listed below



NOTE! Take into account local specifications when configuring cable cross sections.

Connection Requirements:

1 Carefully clean off the oxide layer of the stripped end of the cable, e.g., using a knife.

IMPORTANT Do not use brushes, files or sandpaper. Aluminum particles may get stuck and can transfer to other cables.

2 After removing the oxide layer of the cable end, rub in a neutral grease, e.g., acid- and alkali-free Vaseline.

3 Then immediately connect it to the terminal.

Repeat the steps above whenever the cable is disconnected and then reconnected.

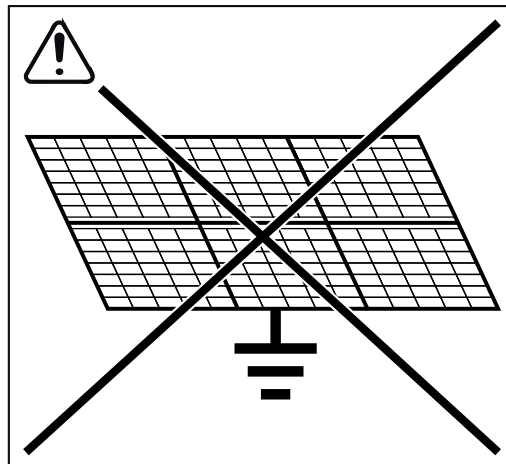
Notes regarding dummy devices

A dummy device is not suitable for connecting operationally to a photovoltaic system, and must only ever be used for demonstration purposes. Dummy devices are indicated as such on their rating plate.

IMPORTANT! Never connect DC cables to the DC connection sockets on a dummy device.

The connection of de-energised cables or sections of cable for demonstration purposes is permissible.

Inverter DC connection



The inverter is designed to be connected and used exclusively in conjunction with ungrounded solar modules.

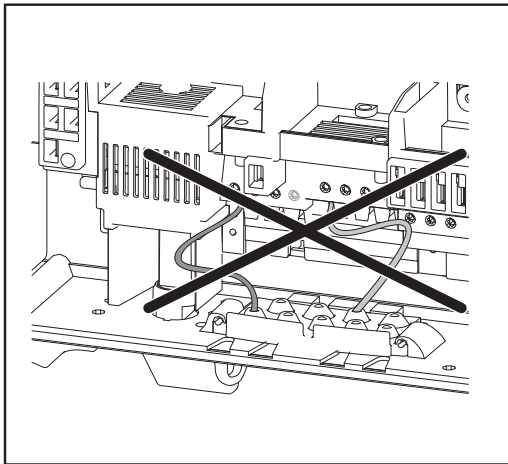
The solar modules may either be grounded on the positive or negative pole.



NOTE! Only break out as many target break points as the number of cables that are provided (e.g. if there are two DC cables, then break out two recesses).

IMPORTANT! Check the polarity and voltage of the solar module strings.

The difference between the individual solar module strings must not exceed 10 V.



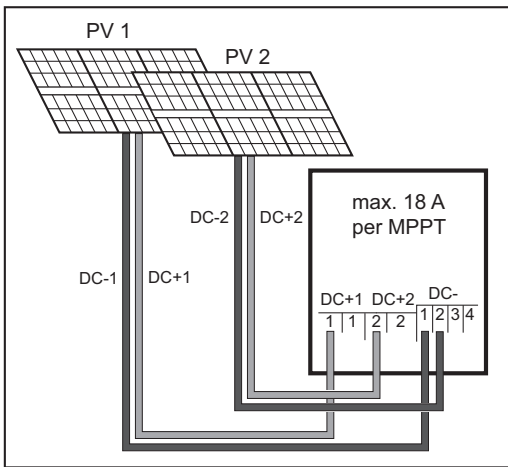
If DC cables are laid over the shaft of the DC main switch or across the connection block of the DC main switch, they may be damaged when the inverter is swung in, or they may even prevent the inverter from being swung in.

IMPORTANT! Do not lay DC cables over the shaft of the DC main switch or across the connection block of the DC main switch!

Inverter with multiple MPP trackers- Fronius Primo 3.0 - 8.2

In the case of inverters with multiple MPP trackers, there are two independent DC inputs (MPP trackers) available. These can be connected to an unequal number of solar modules. There are two terminals for DC+ available per MPP tracker. In total there are four terminals for DC-.

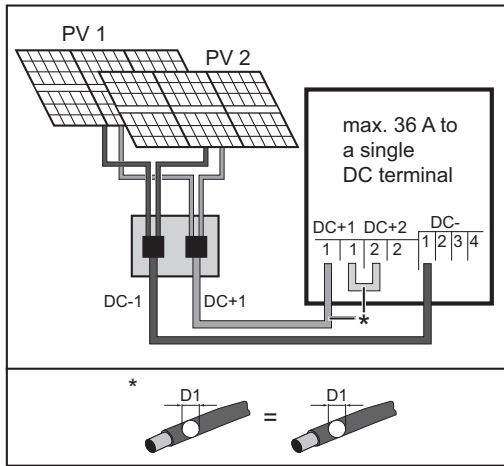
Connecting two to four strings in multiple MPP tracker mode:



Divide the strings between the two MPP tracker inputs (DC+1/DC+2). The DC- terminals can be used however you wish, as they are internally connected. When starting for the first time, set MPP TRACKER 2 to "ON" (this will also later be possible from the Basic menu).

Connecting two solar module fields to an inverter with multiple MPP trackers

Single MPP tracker mode on an inverter with multiple MPP trackers:



Connecting multiple interconnected solar module fields to an inverter with multiple MPP trackers using one lead

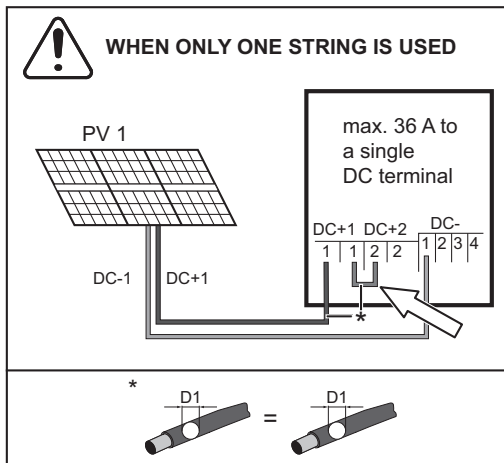
If the strings are connected using a string collection box and only one bus is used for connection to the inverter, the connection DC+1 (pin 2) and DC+2 (pin 1) must be jumpered.

The cable cross-section of the DC connection lead and the jumpering must be the same. Jumpering of the DC terminal is not necessary, as these terminals are jumpered internally.

When starting for the first time, set MPP TRACKER 2 to "OFF" (this will also later be possible from the Basic menu).

If the inverter with multiple MPP trackers is operated in single MPP tracker mode, the currents from the DC leads connected are divided evenly across both inputs.

Single MPP tracker mode with only one string on an inverter with multiple MPP trackers:



Connecting only one string to an inverter with multiple MPP trackers

If only one string is used for connection to the inverter, the connection DC+1 (pin 2) and DC+2 (pin 1) must be jumpered.

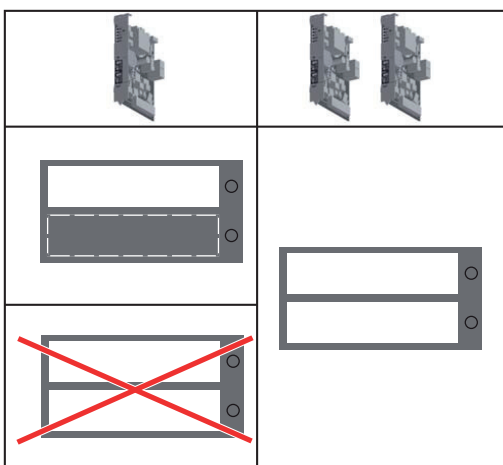
The cable cross-section of the DC connection lead and the jumpering must be the same. Jumpering of the DC terminal is not necessary, as these terminals are jumpered internally.

When starting for the first time, set MPP TRACKER 2 to "OFF" (this will also later be possible from the Basic menu).

If the inverter with multiple MPP trackers is operated in single MPP tracker mode, the currents from the DC leads connected are divided evenly across both inputs.

Notes regarding the laying of data communication cables

Laying data communication cables



IMPORTANT! Operating the inverter with one option card and two broken-out option card slots is not permitted. To cater for this eventuality, a suitable blanking cover (42,0405,2020) is available from Fronius as an option.

IMPORTANT! Note the following if data communication cables are being introduced into the inverter:

- depending on the number and cross-section of the data communication cables that are being introduced, take the relevant blanking plugs out of the sealing insert and insert the data communication cables.
- the relevant blanking plugs must be inserted into the free openings on the sealing insert.

Notes regarding attaching the inverter to the wall bracket

Attaching the inverter to the wall bracket

The side sections of the housing lid are designed to function as holding and carrying handles.



NOTE! For safety reasons, the inverter is fitted with a latch that prevents the inverter from being swung into the wall bracket unless the DC main switch is switched off.

- Never attach the inverter to the wall bracket or swing it in unless the DC main switch is switched off,
- Never use force to attach the inverter or swing it in.

The fastening screws in the data communication area of the inverter are used for securing the inverter to the wall bracket. Correctly tightened fastening screws are a prerequisite if proper contact is to be established between inverter and wall bracket.

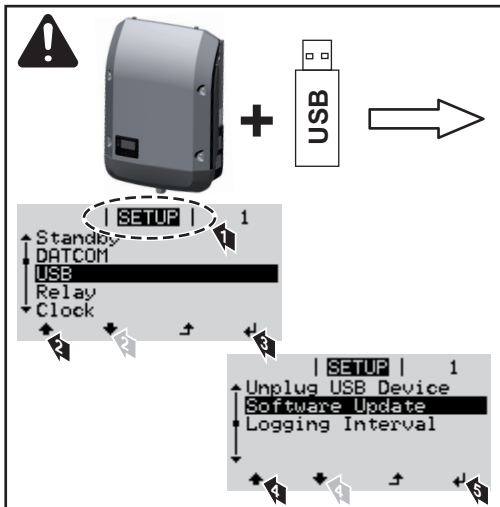


CAUTION! If the fastening screws are not tightened correctly, then the inverter is at risk of being damaged.

Fastening screws that are not correctly tightened can result in arcs occurring when the inverter is in operation, which in turn can cause fires. Always use the specified torque when tightening the fastening screws.

Notes regarding software updates

Notes regarding software updates



If the inverter is supplied with a USB stick, the inverter software must be updated as soon as the inverter has been commissioned:

- 1 Plug the USB stick into the data communication area of the inverter
- 2 Open the Setup menu
- 3 Select the "USB" menu item
- 4 Select "Software Update"
- 5 Update the software

USB Stick as a Data Logger and for Updating Inverter Software

USB stick as a data logger

A USB stick connected to the USB A socket can act as a data logger for an inverter.

Logging data saved to the USB stick can at any time

- be imported into the Fronius Solar.access software via the included FLD file,
- be viewed directly in third-party applications (e.g., Microsoft® Excel) via the included CSV file.

Older Excel versions (up to Excel 2007) have a row limit of 65536.

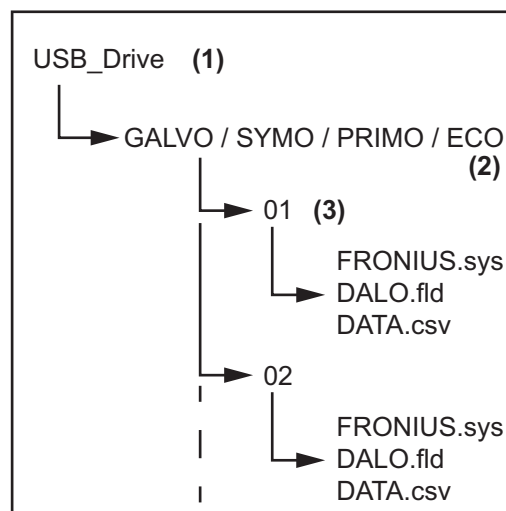
Data on the USB stick

If the USB stick is being used as a data logger, three files will be created automatically:

- FRONIUS.sys system file:
This file stores information from the inverter that is irrelevant to the customer. The file must not be deleted separately. Only delete all of the files (sys, fld, csv) at one time.
- DALO.fld log file:
A log file for reading the data in the Fronius Solar.access software.

Further details on the Fronius Solar.access software can be found in the "DATCOM Details" operating instructions at <http://www.fronius.com>

- DATA.csv log file:
A log file for reading the data in a spreadsheet program (e.g.: Microsoft® Excel)



- (1) USB root directory
- (2) Fronius inverters (Fronius Galvo, Fronius Symo, Fronius Primo or Fronius Eco)
- (3) Inverter number - can be set in the Setup menu under DATCOM

If there are several inverters with the same inverter number, the three files will be saved in the same folder. A digit is added to the file name as a suffix (e.g.: DALO_02.fld)

Data structure on the USB stick

Structure of the CSV file:

	(1)	(2)	(3)	(4)	(5)	(6)	(7)	
	A	B	C	D	E	F	G	H
1	SerialNr.:123456789987456321'							
2	Date	Time	Inverter No.	Device Type	Periode [s]	Energy [Ws]	Energy L[Var]	Energy C[Var]
3	30.03.2013	17:15:19	1	247				
4	30.03.2013	17:15:19	1	247				
5	30.03.2013	17:15:19	1	247				
6	30.03.2013	17:15:20	1	247				

I	J	K	L	M	N	O	P	Q	R	S
Uac L1 [V]	Uac L2 [V]	Uac L3 [V]	Iac L1 [A]	Iac L2 [A]	Iac L3 [A]	Udc S1[V]	Idc S1[A]	Description		
								Display Information		
								V0.1.5 Build 0		
								28.03.2013 23:59:49 Info 017, Counter 0092		
								Logging Start		

- (1) ID
- (2) Inverter no.
- (3) Inverter type (DATCOM code)
- (4) Logging interval in seconds
- (5) Energy in watts per second, relative to the logging interval
- (6) Inductive reactive power
- (7) Capacitive reactive power
- (8) Average values during the logging interval (AC voltage, AC current, DC voltage, DC current)
- (9) Additional information

Data volume and storage capacity

A USB stick with a storage capacity of 1 GB can record logging data for roughly seven years at a logging interval of five minutes.

CSV file

CSV files can only store 65,535 lines (data records) (up to Microsoft® Excel 2007; there is no restriction from this version onwards).

At a five-minute logging interval, the 65,535 lines will be written within approximately seven months (CSV data size of approx. 8 MB).

In order to avoid data loss, the CSV file should be backed up to a PC and deleted from the USB stick within this seven-month period. If the logging interval is set to a longer period, this time frame will be increased accordingly.

FLD file

The FLD file should not be larger than 16 MB. This will provide enough storage capacity for approximately six years at a logging interval of five minutes.

If the file exceeds the 16 MB limit, it should be backed up to a PC and all of the data on the USB stick should be deleted.

After backing up and removing the data, the USB stick can be reconnected immediately to resume recording the logging data without any further steps being required.



NOTE! Using a full USB stick can lead to data loss or data being overwritten. When using USB sticks, always ensure that there is sufficient storage capacity on the stick.

Buffer memory

If the USB stick is unplugged (e.g. for data backup purposes), the logging data is written to a buffer memory in the inverter.

As soon as the USB stick is plugged in again, the data is copied automatically from the buffer memory to the stick.

The buffer memory can store a maximum of six logging points. Data is only logged while the inverter is running (output greater than 0 W). The logging interval is permanently set at 30 minutes. Data can be recorded on the buffer memory for a three-hour time period as a result.

When the buffer memory is full, the oldest data in the memory will be overwritten by the next batch of data.

IMPORTANT! The buffer memory requires a permanent power supply.

If there is a power failure while the inverter is in operation, all the data in the buffer memory will be lost. To avoid losing data during the night, the automatic night switch-off facility must be deactivated (switch the "Night Mode" setup parameter to ON - see the section "Setting and displaying the menu items", "Viewing and adjusting parameters in the DATCOM menu item").

On the Fronius Eco, the buffer memory also functions with just a DC supply

Suitable USB flash drives

Due to the variety of USB flash drives available on the market, it cannot be guaranteed that every USB flash drive will be detected by the inverter.

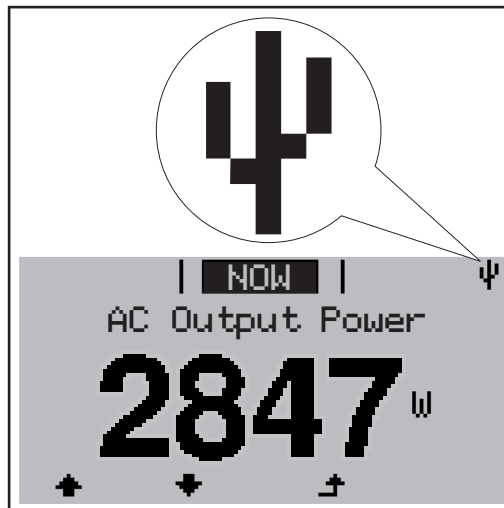
Fronius recommends that only certified USB flash drives suitable for building sites are used (look out for the USB-IF logo).

The inverter supports USB flash drives with the following file systems:

- FAT12
- FAT16
- FAT32

Fronius recommends that the USB flash drives employed should only be used for recording logging data or updating the inverter software. The USB flash drives should not contain any other data.

USB symbol on the inverter display, e.g. in display mode 'NOW':



If the inverter detects a USB flash drive, the USB symbol will appear in the top right corner of the display.

When inserting a USB flash drive, check whether the USB symbol is displayed (it may also flash).



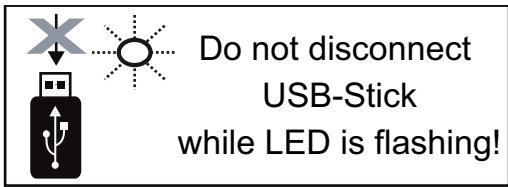
NOTE! Please note for outdoor applications that conventional USB flash drives are often only guaranteed to work within a restricted temperature range. For outdoor applications ensure that the USB flash drive also functions, for example, at low temperatures.

USB stick for updating the inverter software

With the help of the USB stick, end customers can also update the inverter software via the USB item on the SETUP menu: the update file is first saved to the USB stick, from where it is then transferred to the inverter. The update file must be saved in the root directory on the USB stick.

Remove USB stick

Security note concerning the removal of a USB stick:



IMPORTANT! To avoid any loss of data, a USB stick may only be removed if the following conditions are met:

- only remove a USB stick via the 'Safely remove USB / HW' item on the SETUP menu
- the 'Data transmission' LED has stopped flashing or comes on steady.

Notes regarding maintenance

Maintenance



NOTE! When installed outdoors in a horizontal position:
once a year, check that all screw joints are tight!

Maintenance and repair work must only be carried out by authorised personnel.

Cleaning

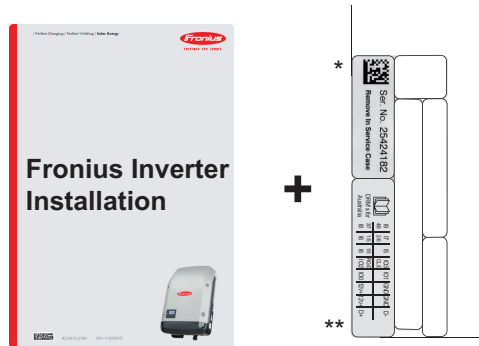
Clean the inverter and the display as required with a damp cloth.
Do not use cleaning agents, abrasives or solvents to clean the inverter.

Serial Number Sticker for Customer Use

Serial number sticker for customer use



The serial number of the inverter is located on the rating plate on the bottom of the inverter. Depending on the installation position of the inverter, the serial number can be difficult to access or read, e.g. if the inverter has been installed in a dark or shaded area.



Two serial number stickers are enclosed with the inverter's installation instructions:

- * 57 x 20 mm
- ** 67 x 20 mm

These can be affixed by the customer in a visible location of his choosing, e.g. on the front of the inverter or on the operating instructions.

Application example

only Australia

* Serial Number Sticker for Customer Use, 57 x 20 mm
 ** DRMs for **Australia** for Customer Use, 67 x 20 mm

Application example:
 Serial number sticker on the operating instructions or on the front of the inverter

For Australia only:
 Affix the DRM Australia sticker in the Data-manager area.

Fronius Worldwide - www.fronius.com/addresses

Fronius International GmbH
4600 Wels, Froniusplatz 1, Austria
E-Mail: pv-sales@fronius.com
<http://www.fronius.com>

Fronius USA LLC Solar Electronics Division
6797 Fronius Drive, Portage, IN 46368
E-Mail: pv-us@fronius.com
<http://www.fronius-usa.com>

Under <http://www.fronius.com/addresses> you will find all addresses of our sales branches and partner firms!